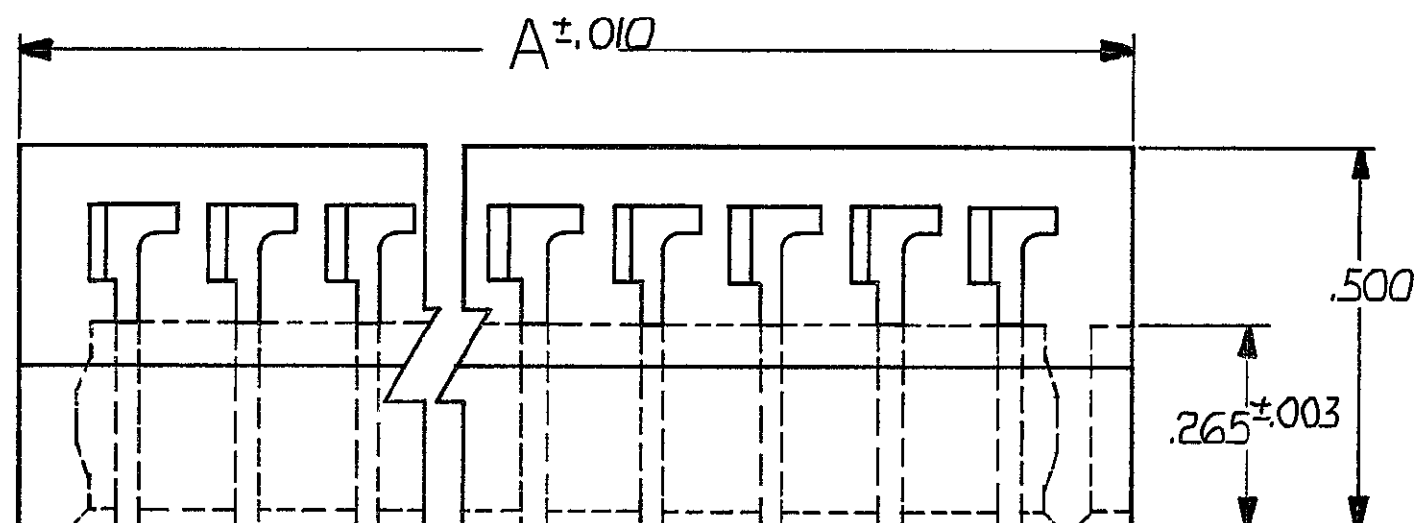


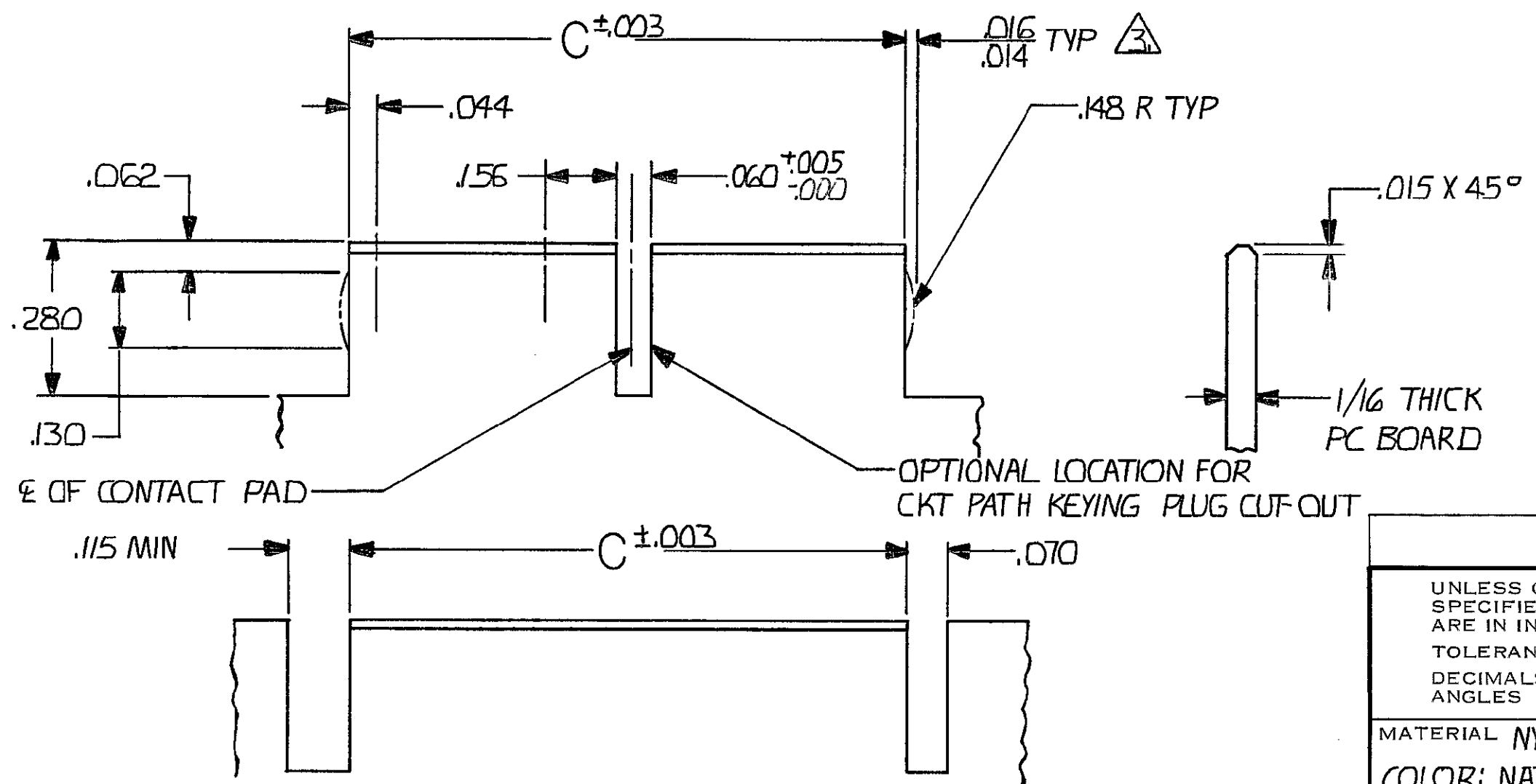
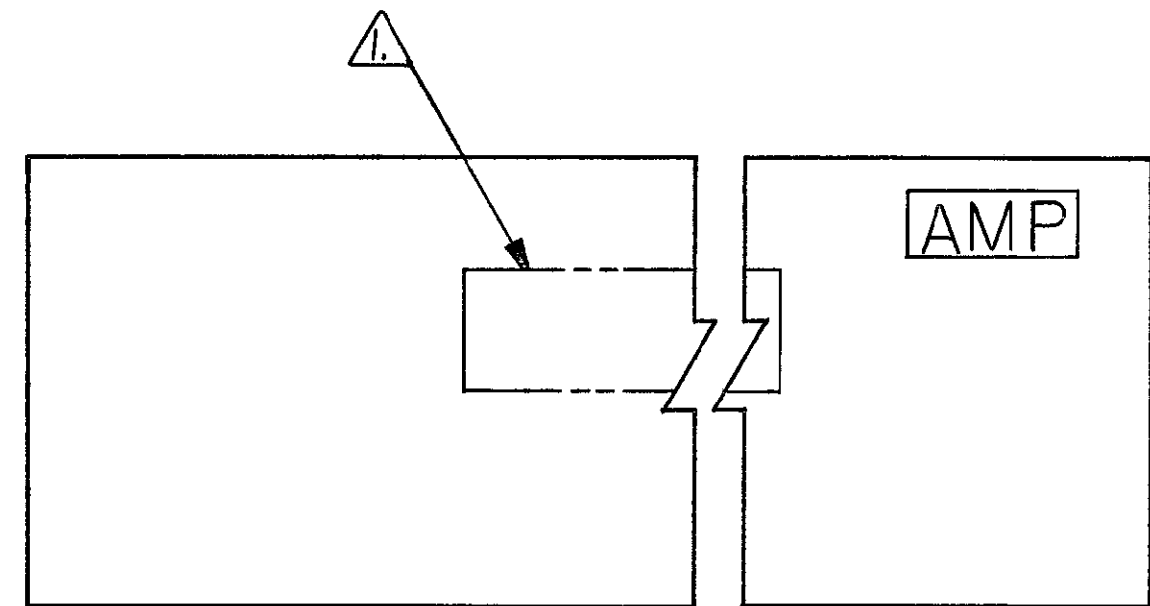
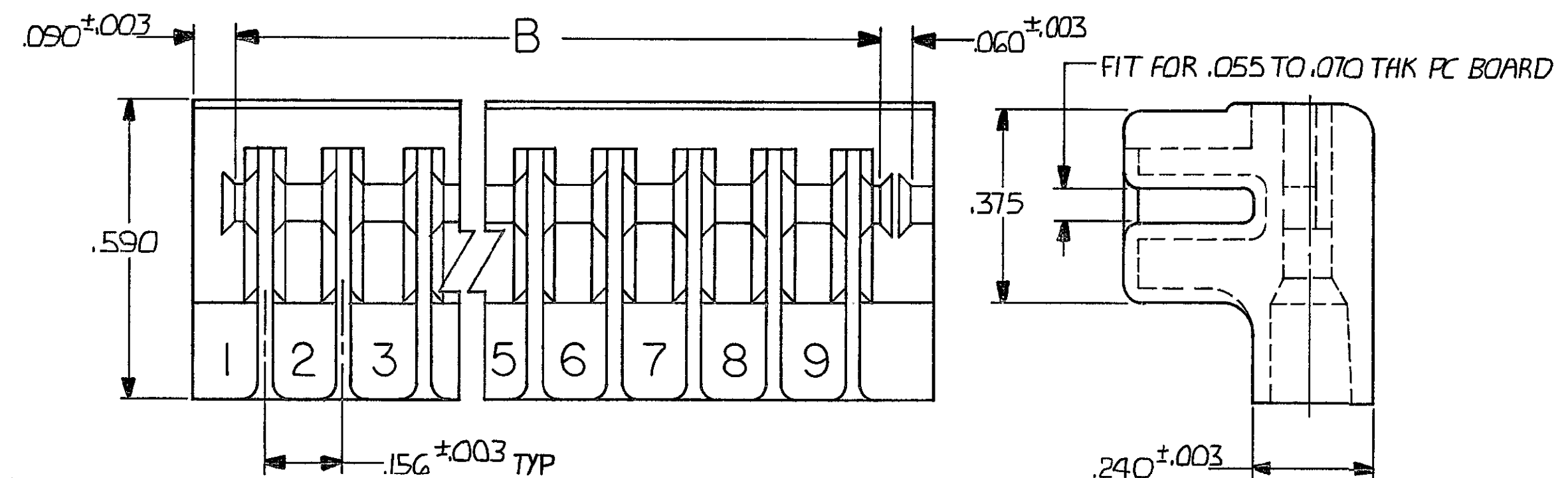
© COPYRIGHT 1976 BY AMP INCORPORATED, HARRISBURG, PA. ALL INTERNATIONAL RIGHTS RESERVED. AMP INCORPORATED PRODUCTS COVERED BY U. S. AND FOREIGN PATENTS AND/OR PATENTS PENDING.

UNPUBLISHED SOP. NOT TO BE REPRODUCED NOR PUBLISHED WITHOUT WRITTEN PERMISSION OF AMP INCORPORATED.

REVISIONS					
P/F	ZONE	LTR	DESCRIPTION	DATE	APPROVED
✓		E	OBSOLETE -11/0010-1308-93	2298	RB
✓		F	REV PER 0010-0913-94	9/1/94	SB
✓		G	REV PER 0010-1143-95	11-95	RB
		H	REV PER EC 0G3C-233-01	02OCT01	MM



1. "AMP" PART NUMBER AND DATE CODE MARKED THIS AREA. DATE CODE (OPTIONAL) OR MOLDED.
2. REFER TO 60215 583284 AND 530501 FOR TERMINALS.
3. THE RETAINING DIMPLES ARE OPTIONAL IN BOTH CUT-OUTS.
4. CONTACT CAVITIES ENLARGED FOR 18 TO 16 AWG LEADS WITH MAXIMUM INSULATION DIAMETER OF .130.
5. IDENTIFICATION MARKING OMITTED.



	2.741	2.754	2.964	18	1-530853-8
OBSOLETE	400	414	624	3	1-530853-1
OBSOLETE	3.365	3.378	3.528	22	530853-9
	2.741	2.754	2.964	18	-8
	2.272	2.286	2.496	15	-7
	2.117	2.130	2.340	14	-6
	1.805	1.818	2.028	12	-5
	1.337	1.350	1.560	9	-4
	.868	.882	1.092	6	-3
OBSOLETE	.712	.726	.936	5	-2
	400	414	624	3	530853-1

C	B	A	NO OF POSITIONS	PART NO

UNLESS OTHERWISE SPECIFIED DIMENSIONS ARE IN INCHES. TOLERANCES ON: DECIMALS ±.005 ANGLES ±	CONTRACT NO	AMP INCORPORATED Harrisburg, Pa.
	DR Robert Wolter 10-13-76	
MATERIAL NYLON COLOR: NATURAL	CHK Bushey 10-13-76	NAME HOUSING, DUO-TYNE FLAG
FINISH	APPD W.D. Bushey 10-13-76	SIZE CODE IDENT NO DRAWING NO C 00779 530853
	APPD K. Shawman 10-13-76	SCALE 4-1 SHEET 1 OF 1
	OTHER APPD	

OPTIONAL CUT-OUTS

530853